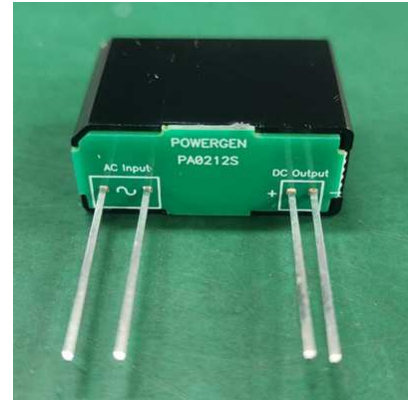


**PA0212S** Switching Mode Power Supply

■ **Special Features**

- Small Single-purpose power supply
- Wide Input Range(AC85V~265V)
- Isolated output
- Short circuit protection
- Over voltage protection
- Thermal shutdown
- Low standby-power



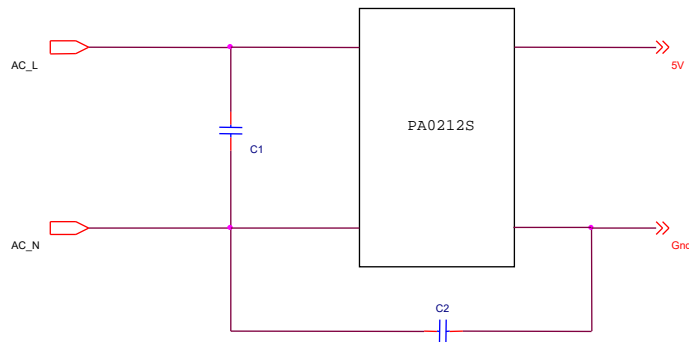
■ **Electrical Characteristics**

Characteristics		Condition	Min.	Typ.	Max.	Unit
AC Input	Voltage Range(1)		85	220	265	V
	Current	$V_i=AC220V, I_o=150mA$	-	-	0.1	A
DC Output	Voltage Range	$V_i=AC220V, I_o=0 \sim 150mA$	11.4	12.0	12.6	V
	Output Current	$V_i=AC85\sim 220V, V_o=12V$	-	-	150	mA
	Line Regulation	$V_i=AC85\sim 220V, I_o=150mA$	-	-	0.2	V
	Load Regulation	$V_i=AC220V, I_o=0\sim 150mA$	-	-	0.2	V
	Ripple Voltage	$V_i=AC220V, I_o=150mA$	-	-	0.15	Vp-p
	Efficiency	$V_i=AC220V, I_o=150mA$	70		-	%
Power Consumption	No Load	$V_i=AC220V, I_o=0mA$			0.15	W
	Full Load	$V_i=AC220V, I_o=150mA$		2.6		W
Ambient Temperature	Operating Range		-10	-	60	°C
	Storage Range		-45	-	105	°C
Isolation	Withstand Voltage	Input-Output 1min 10mA	-	-	2	KV
	Isolation Resistance	Input-Output DC 500V	100	-	-	MΩ

Notes

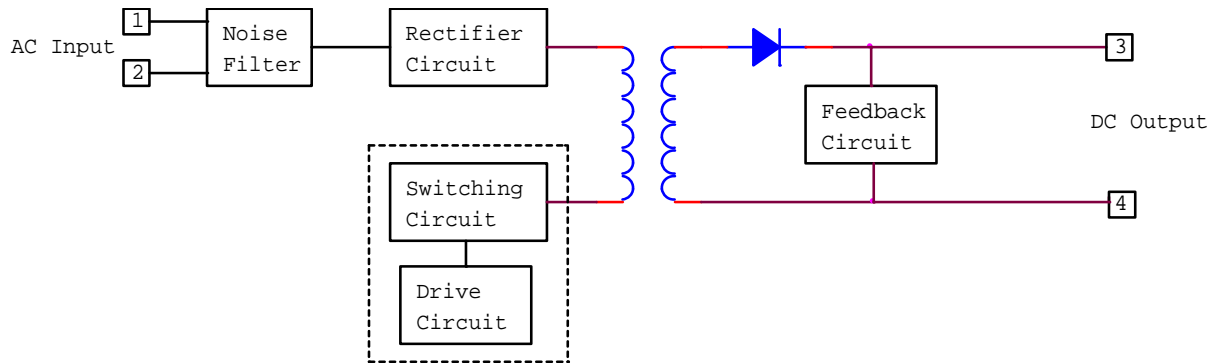
- (1) For cases where the conformance to various safety spec is required, input voltage and frequency range will be 85~265VAC, 60Hz/50Hz.

■ **External EMI Filter**

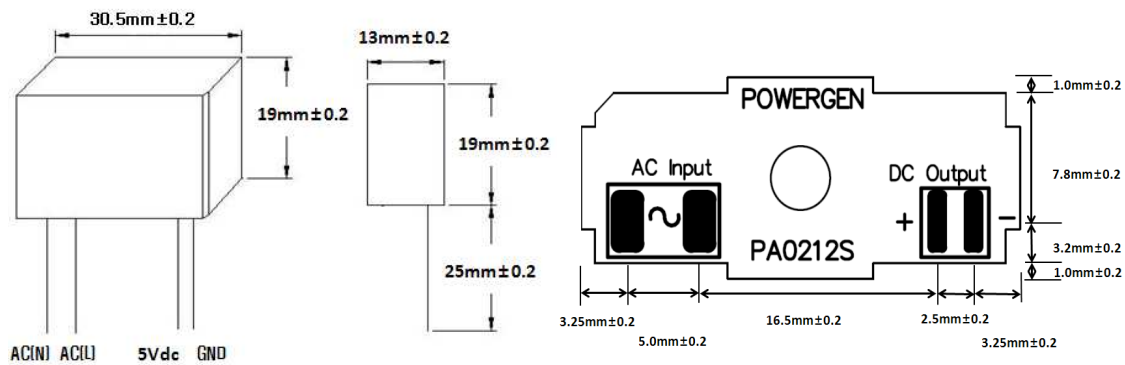


C1 : 100nF X2 Capacitor  
C2 : 0.1nF ~ 3.3nF Y1 Capacitor

■ **Block Diagram**



■ **Dimension**



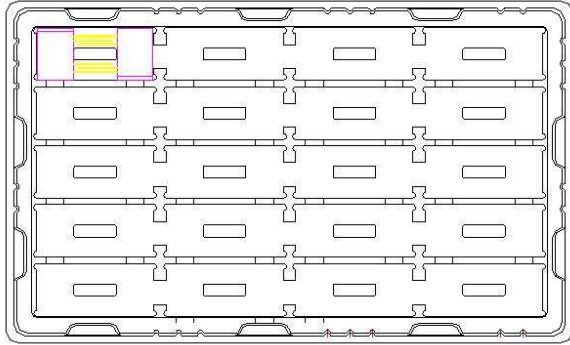
Notes

1.Dimension in mm

Pin No.	Description
1	AC INPUT
2	AC INPUT
3	DC OUTPUT(+12V)
4	DC OUTPUT(GND)

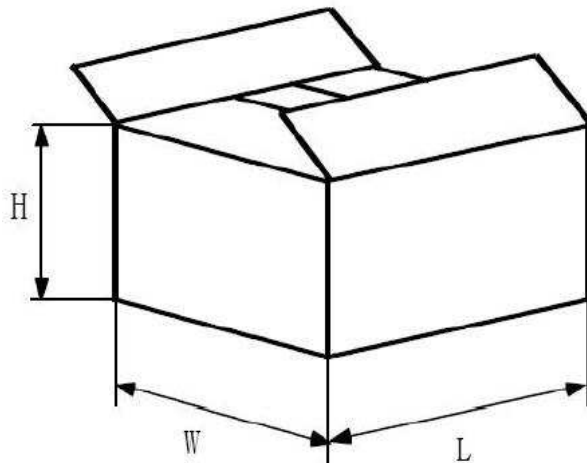
■ **Packing Specification**

**1. Inner Box**



<b>Matter</b>	<b>PET</b>
<b>Size</b>	<b>380 X 230 X 21 X 0.8t</b>
<b>Quantity</b>	<b>40 pcs ( 8X5 )</b>

**2. Output Box**



<b>L</b>	<b>460</b>
<b>W</b>	<b>390</b>
<b>H</b>	<b>225</b>
<b>Quantity</b>	<b>1040EA</b>
<b>Marking</b>	<b>1. Maker 2. Part Number 3. Quantity</b>

\* Unit : mm

POWERGEN Co., Ltd.

67-13, Shinchon-dong, Changwon si, Gyeongnam, S.Korea, 642-370

TEL+ 82 55 275 7803~4 FAX + 82 55 275 7805

This semiconductor technical data is believed to be accurate and reliable, however POWERGEN does not assume any responsibility arising out of the application or use of any product or circuit described herein; neither does it convey any license under its patent rights nor the rights of others.

POWERGEN reserves the right at anytime without notice to change said circuitry and specifications.